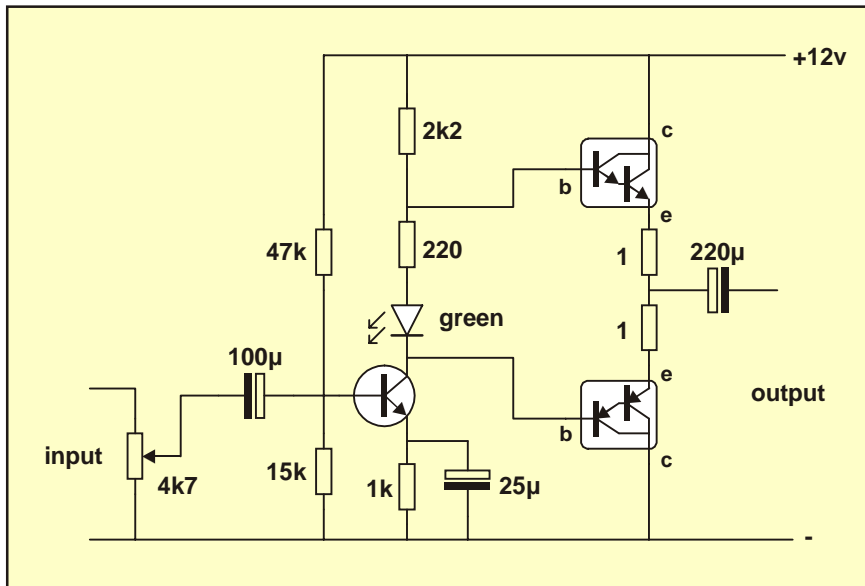


Low Power, Three Transistor Amplifier



T_1 BC109C T_2 BD679 or BD683 T_3 BD680

As can be seen from the circuit diagram we are really using five transistors as the BD679 and BD680 are “Darlington” pairs of transistors. The led *must* be a **green** led for correct operation. (The voltage across a green led is higher than the voltage across a red led.) When using a 12v supply the voltage at T_1 collector should be (about) 5v and at T_2 base (about) 7v. This amplifier will be unstable (it will oscillate) without the 4k7 variable resistor connected to the input.

